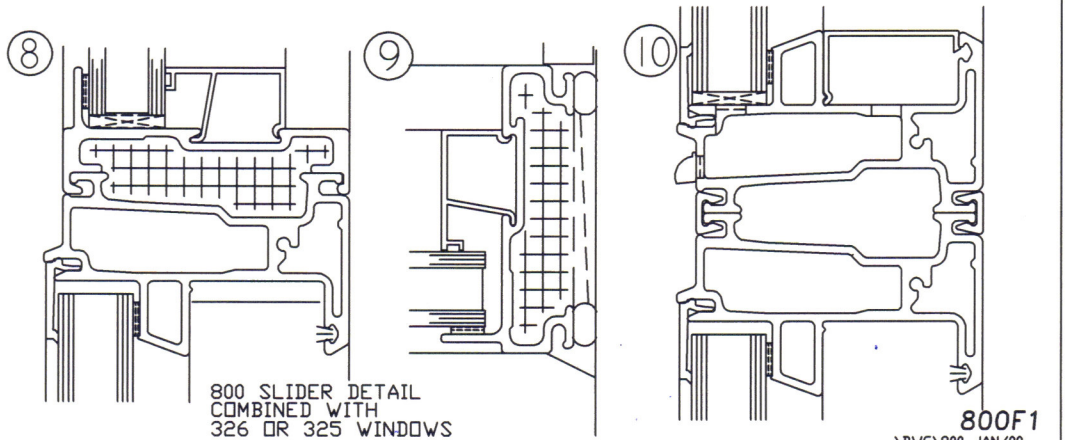
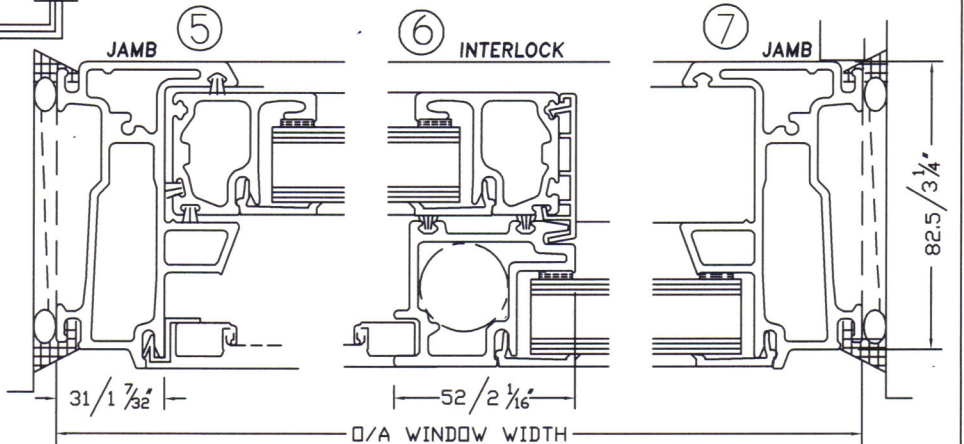
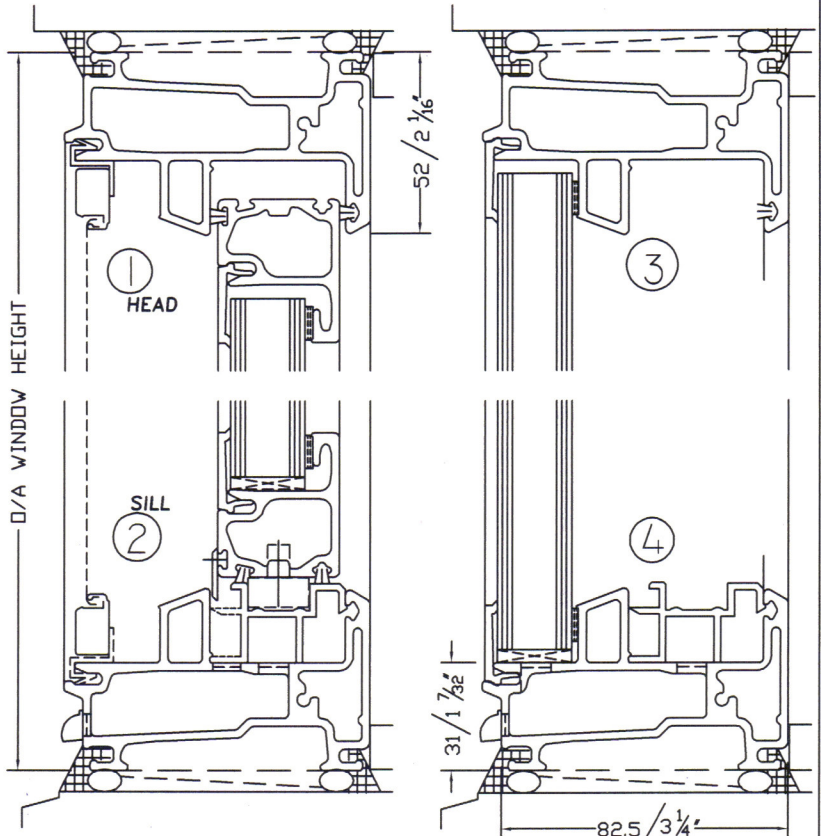
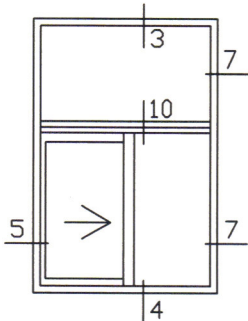
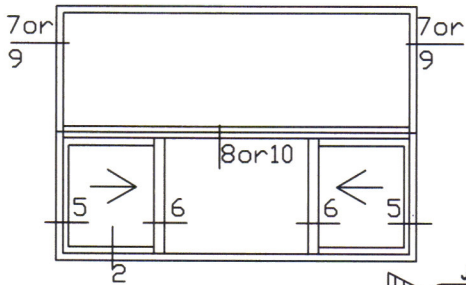
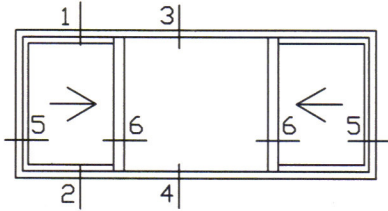
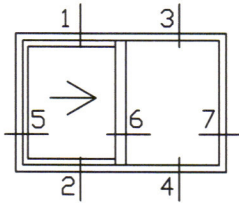


# INLINE FIBERGLASS 800 series WINDOWS



800 SLIDER DETAIL  
COMBINED WITH  
326 OR 325 WINDOWS